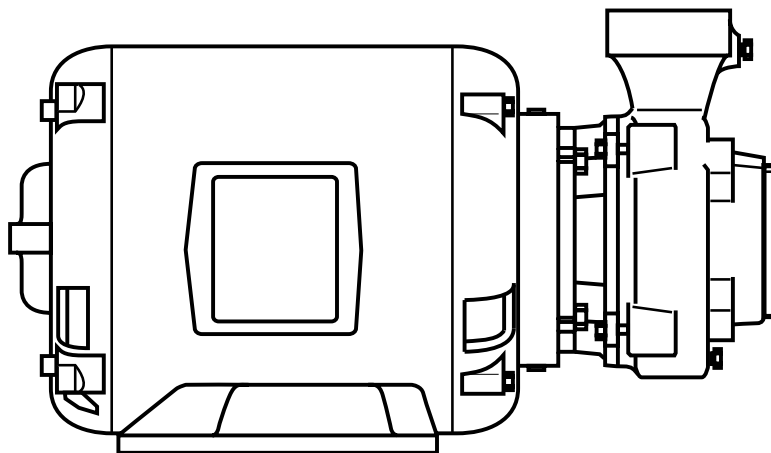


320A SERIES REPAIR PARTS INDEX



READ AND UNDERSTAND THE PUMP AND MOTOR
INSTRUCTIONS BEFORE ATTEMPTING TO INSTALL,
DISASSEMBLE OR REPAIR THE PUMP

320 SERIES
MODELS 321 - 323- 324A

TABLE OF CONTENTS

| PUMP MODEL | DESCRIPTION | PAGE |
|-----------------------|---------------------------------------|-------------|
| 321 | EXPLODED VIEW AND PIECE NUMBERS | 3 |
| 323 | EXPLODED VIEW AND PIECE NUMBERS | 4 |
| 324A | EXPLODED VIEW AND PIECE NUMBERS | 5 |
| 321 | PARTS LIST | 6 & 7 |
| 323 | PARTS LIST | 6 & 7 |
| 324A | PARTS LIST | 6 & 7 |

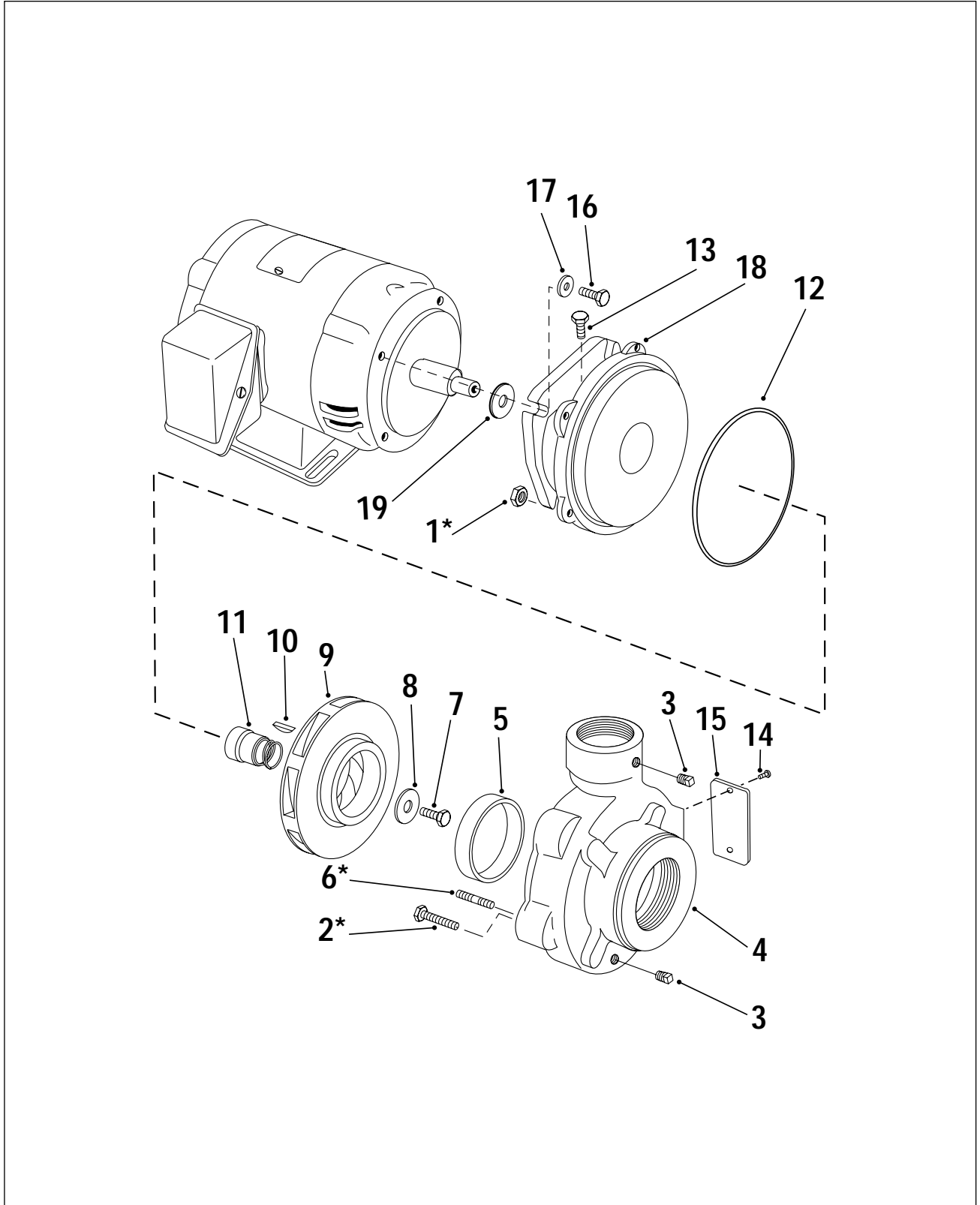
Notes:

1) Model 323 Pumps are not available in all bronze (A.B.) or stainless steel (S.S.) construction.

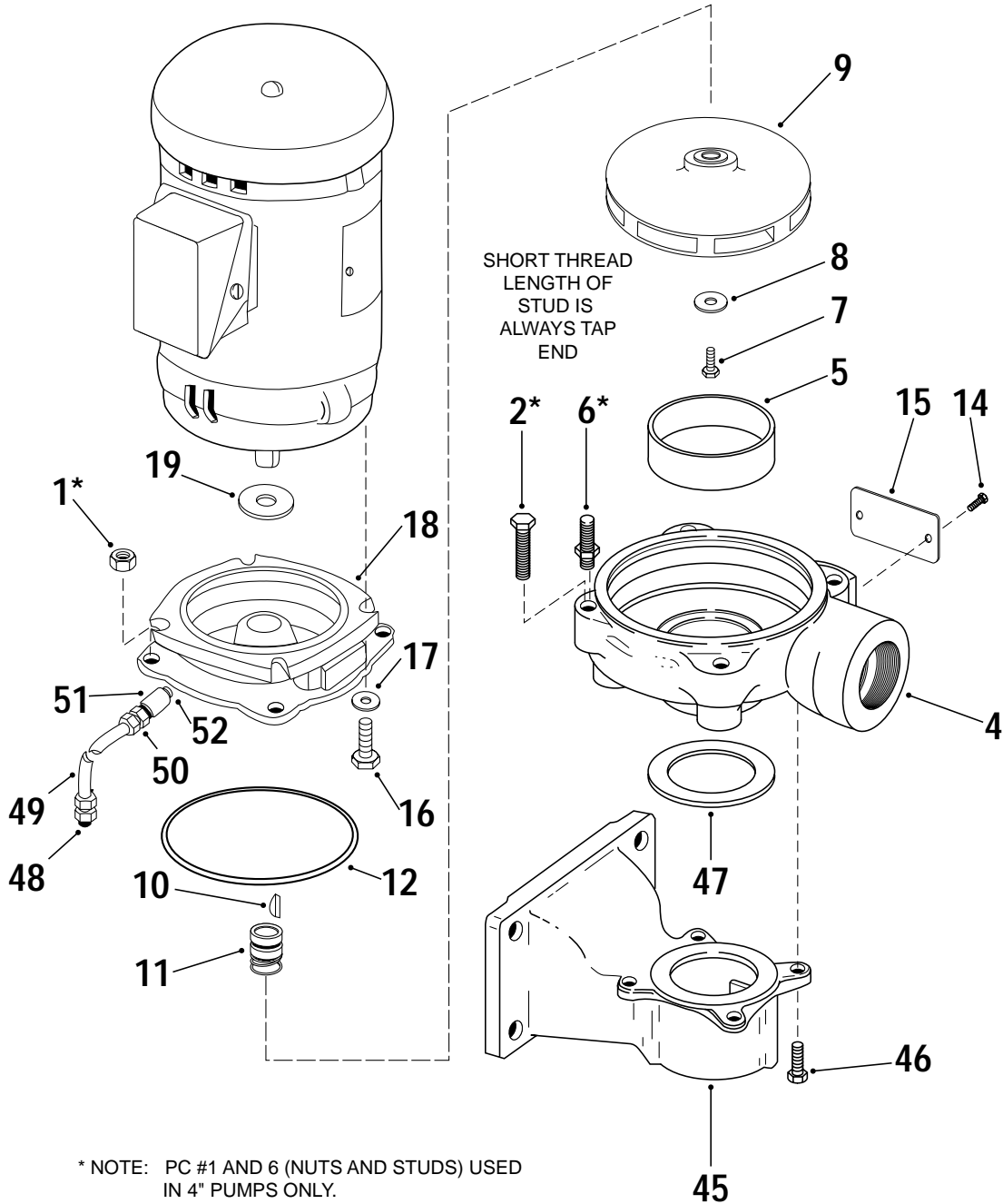
2) Pump sizes 1-1/2 x 2 x 4, 3/4 x 1 x 6A, 3/4 x 1 x 7A, 3/4 x 1 x 7B and 1-1/4 x 1-1/2 x 9 not available in all iron construction.

320 SERIES
MODEL 321
PIECE NUMBERS

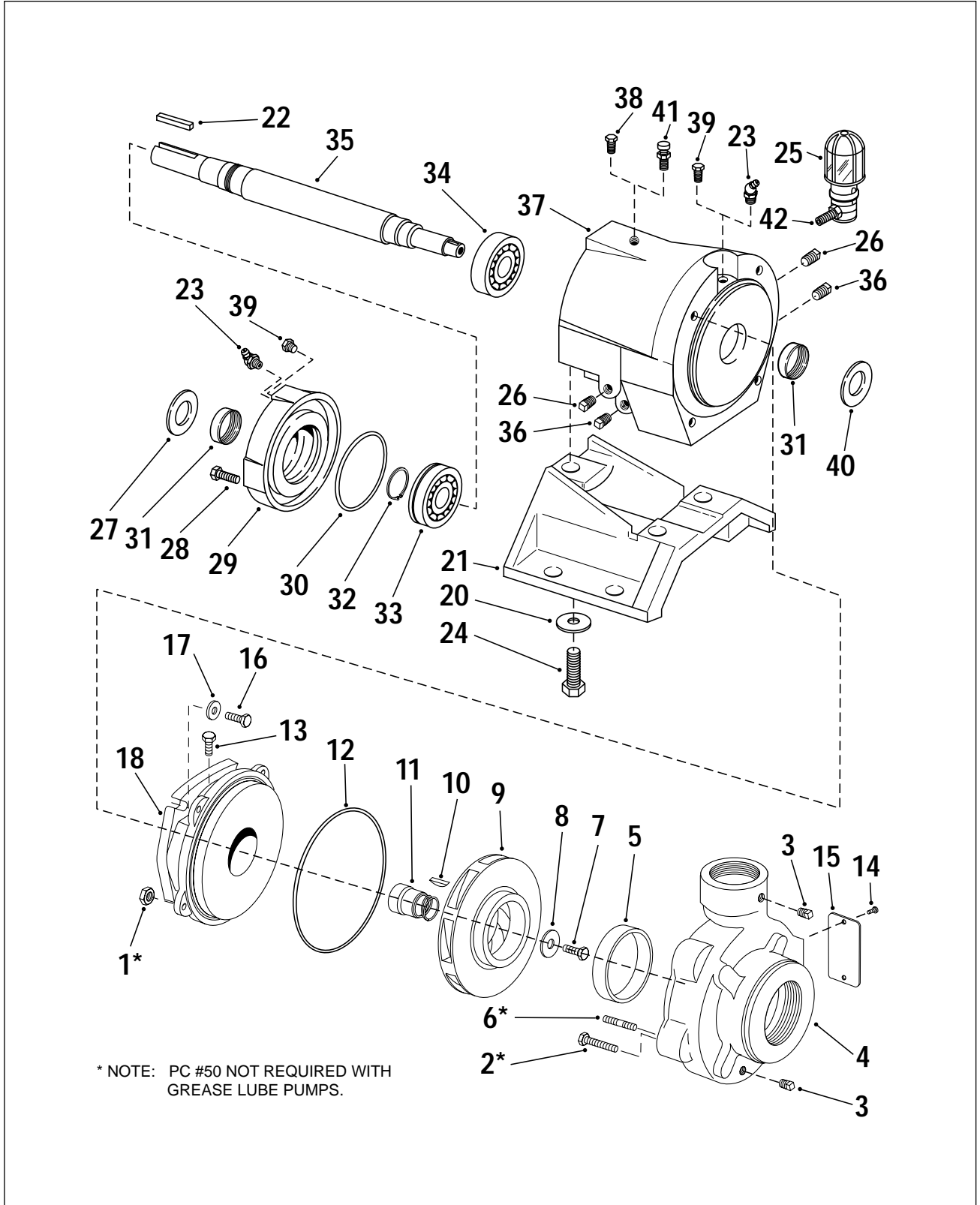
SECTION 320P PAGE 3
DATED FEBRUARY 1999
SUPERSEDES 320P PAGE 3
DATED JUNE 1998



MODEL 323
PIECE NUMBERS



MODEL 324A
PIECE NUMBERS



* NOTE: PC #50 NOT REQUIRED WITH
GREASE LUBE PUMPS.

320 SERIES
MODELS 321 - 323- 324A
4" - 5" - 6" - 7" - 9"

PARTS LIST

| PC. NO. | DESCRIPTION | QTY | PART NO. | MATERIAL | | | |
|-------------------|-------------------------------|----------|----------|----------|------|------|------|
| | | | | B.F. | A.B. | A.I. | S.S. |
| 1 | NUT - 4" | 4 | 544-0109 | 080 | 190 | 080 | 104 |
| 2 | CAPSCREW - 5, 6" | 4 | 168-0380 | 082 | 190 | 082 | 104 |
| | CAPSCREW - 7, 9" | 4 | 168-0488 | 082 | 190 | 082 | 104 |
| 3 | PLUG | 2 | 600-0002 | 087 | 190 | 087 | 104 |
| 4 | CASING MODEL 321 & 324A PUMPS | | | | | | |
| | 1 x 1-1/4 x 4 | 1 | 180-1520 | 010 | 208 | 010 | |
| | 1-1/2 x 2 x 4 | 1 | 180-1527 | 010 | 208 | N/A | |
| | 2 x 2-1/2 x 4 | 1 | 180-1530 | 010 | 208 | 010 | |
| | 1 x 1-1/4 x 5 | 1 | 180-1521 | 010 | 208 | 010 | 104 |
| | 1-1/4 x 1-1/2 x 5 | 1 | 180-1523 | 010 | 208 | 010 | 104 |
| | 2 x 2-1/2 x 5 | 1 | 180-1531 | 010 | 208 | 010 | 104 |
| | 3/4 x 1 x 6A | 1 | 180-2297 | 010 | 208 | N/A | |
| | 1 x 1-1/4 x 6 | 1 | 180-1522 | 010 | 208 | 010 | |
| | 2 x 2-1/2 x 6 | 1 | 180-1532 | 010 | 208 | 010 | 104 |
| | 3 x 3 x 6 | 1 | 180-1534 | 010 | 208 | 010 | 104 |
| | 3/4 x 1 x 7A & 7B | 1 | 180-1519 | 010 | 208 | N/A | |
| | 1-1/4 x 1-1/2 x 7A (3500) | 1 | 180-1524 | 010 | 208 | 010 | 104 |
| | 1-1/4 x 1-1/2 x 7B (1750) | 1 | 180-1525 | 010 | 208 | 010 | |
| | 1-1/2 x 2 x 7 | 1 | 180-1528 | 010 | 208 | 010 | |
| | 2 x 2-1/2 x 7 | 1 | 180-1533 | 010 | 208 | 010 | 104 |
| 1-1/4 x 1-1/2 x 9 | 1 | 180-1526 | 010 | 208 | N/A | | |
| 4 | CASING MODEL 323 PUMPS | | | | | | |
| | 1 x 1-1/4 x 4 | 1 | 180-1541 | 010 | | 010 | |
| | 1-1/2 x 2 x 4 | 1 | 180-1548 | 010 | | N/A | |
| | 2 x 2-1/2 x 4 | 1 | 180-1551 | 010 | | 010 | |
| | 1 x 1-1/4 x 5 | 1 | 180-1542 | 010 | | 010 | |
| | 1-1/4 x 1-1/2 x 5 | 1 | 180-1544 | 010 | | 010 | |
| | 2 x 2-1/2 x 5 | 1 | 180-1552 | 010 | | 010 | |
| | 3/4 x 1 x 6A | 1 | 180-2298 | 010 | | N/A | |
| | 1-1/4 x 1 x 6 | 1 | 180-1543 | 010 | | 010 | |
| | 2 x 2-1/2 x 6 | 1 | 180-1553 | 010 | | 010 | |
| | 3 x 3 x 6 | 1 | 180-1555 | 010 | | 010 | |
| | 3/4 x 1 x 7A & 7B | 1 | 180-1540 | 010 | | N/A | |
| | 1-1/4 x 1-1/2 x 7A (3500) | 1 | 180-1545 | 010 | | 010 | |
| | 1-1/4 x 1-1/2 x 7B (1750) | 1 | 180-1546 | 010 | | 010 | |
| | 1-1/2 x 2 x 7 | 1 | 180-1549 | 010 | | 010 | |
| | 2 x 2-1/2 x 7 | 1 | 180-1554 | 010 | | 010 | |
| 1-1/4 x 1-1/2 x 9 | 1 | 180-1547 | 010 | | N/A | | |

| PC. NO. | DESCRIPTION | QTY | PART NO. | MATERIAL | | | |
|---------------------------|-------------------------------------|----------|----------|----------|------|------|------|
| | | | | B.F. | A.B. | A.I. | S.S. |
| 5 | RING MODEL 321, 323, 324A PUMPS | | | | | | |
| | 1 x 1-1/4 x 4 | 1 | 676-1547 | 208 | 208 | 010 | |
| | 1-1/2 x 2 x 4 | 1 | 676-1549 | 208 | 208 | N/A | |
| | 2 x 2-1/2 x 4 | 1 | 676-1549 | 208 | 208 | 010 | |
| | 1 x 1-1/4 x 5 | 1 | 676-1548 | 208 | 208 | 010 | 104 |
| | 1-1/4 x 1-1/2 x 5 | 1 | 676-1548 | 208 | 208 | 010 | 104 |
| | 2 x 2-1/2 x 5 | 1 | 676-1549 | 208 | 208 | 010 | 104 |
| | 3/4 x 1 x 6A | 1 | 676-1464 | 208 | 208 | N/A | |
| | 1 x 1-1/4 x 6 | 1 | 676-1548 | 208 | 208 | 010 | |
| | 2 x 2-1/2 x 6 | 1 | 676-1549 | 208 | 208 | 010 | 104 |
| | 3 x 3 x 6 | 1 | 676-1550 | 208 | 208 | 010 | 104 |
| | 3/4 x 1 x 7A & 7B | 1 | 676-1464 | 208 | 208 | N/A | |
| | 1-1/4 x 1-1/2 x 7 | 1 | 676-1548 | 208 | 208 | 010 | 104 |
| | 1-1/2 x 2 x 7 | 1 | 676-1549 | 208 | 208 | 010 | |
| 2 x 2-1/2 x 7 | 1 | 676-1549 | 208 | 208 | 010 | 104 | |
| 1-1/4 x 1-1/2 x 9 | 1 | 676-1548 | 208 | 208 | N/A | | |
| 6 | STUD - 4" | 4 | 808-0105 | 082 | 190 | 082 | |
| 7 | CAPSCREW, IMP. | 1 | 168-0255 | 104 | 104 | 104 | 104 |
| 8 | WASHER | 1 | 908-0599 | 104 | 104 | 104 | 104 |
| 9 | IMPELLER MODEL 321, 323, 324A PUMPS | | | | | | |
| | 1 x 1-1/4 x 4 | 1 | 443-1787 | 225 | 225 | 010 | |
| | 1-1/2 x 2 x 4 | 1 | 443-1794 | 225 | 225 | N/A | |
| | 2 x 2-1/2 x 4 | 1 | 443-1797 | 225 | 225 | 010 | |
| | 1 x 1-1/4 x 5 | 1 | 443-1788 | 225 | 225 | 010 | 104 |
| | 1-1/4 x 1-1/2 x 5 | 1 | 443-1790 | 225 | 225 | 010 | 104 |
| | 2 x 2-1/2 x 5 | 1 | 443-1798 | 225 | 225 | 010 | 104 |
| | 3/4 x 1 x 6A | 1 | 443-1708 | 225 | 225 | N/A | |
| | 1 x 1-1/4 x 6 | 1 | 443-1789 | 225 | 225 | 010 | |
| | 2 x 2-1/2 x 6 | 1 | 443-1799 | 225 | 225 | 010 | 104 |
| | 3 x 3 x 6 | 1 | 443-1801 | 225 | 225 | 010 | 104 |
| | 3/4 x 1 x 7A (3500) | 1 | 443-1785 | 225 | 225 | N/A | |
| | 3/4 x 1 x 7B (1750) | 1 | 443-1786 | 225 | 225 | N/A | |
| | 1-1/4 x 1-1/2 x 7A (3500) | 1 | 443-1791 | 225 | 225 | 010 | 104 |
| 1-1/4 x 1-1/2 x 7B (1750) | 1 | 443-1792 | 225 | 225 | 010 | | |
| 1-1/2 x 2 x 7 | 1 | 443-1795 | 225 | 225 | 010 | | |
| 2 x 2-1/2 x 7 | 1 | 443-1800 | 225 | 225 | 010 | 104 | |
| 1-1/4 x 1-1/2 x 9 | 1 | 443-1793 | 225 | 225 | N/A | | |

**320 SERIES
MODELS 321 - 323- 324A
4" - 5" - 6" - 7" - 9"**

SECTION 320P PAGE 7
DATED FEBRUARY 1999
SUPERSEDES 320P PAGE 7
DATED JUNE 1998

PARTS LIST

| PC. NO. | DESCRIPTION | QTY | PART NO. | MATERIAL | | | |
|--|-----------------------------------|-----|----------|----------|------|------|------|
| | | | | B.F. | A.B. | A.I. | S.S. |
| 10 | KEY | 1 | 472-0105 | 100 | 100 | 100 | 104 |
| 11 | SEAL | 1 | 712-1004 | 749 | 764 | 749 | 764 |
| 12 | GASKET - 4" | 1 | 364-0429 | 457 | 457 | 457 | |
| | 5" | 1 | 364-0437 | 457 | 457 | 457 | 457 |
| | 6" | 1 | 364-0446 | 457 | 457 | 457 | 457 |
| | 7" | 1 | 364-0452 | 457 | 457 | 457 | 457 |
| | 9" | 1 | 364-0460 | 457 | 457 | N/A | |
| 13 | PIPE PLUG 321, 324A | 1 | 600-0001 | 087 | 190 | 087 | 104 |
| 14 | DRIVE SCREW | 2 | 708-0013 | 365 | 365 | 365 | 365 |
| 15 | NAMEPLATE | 1 | 532-0045 | 114 | 114 | 114 | 114 |
| 16 | CAPSCREW | 4 | 168-0380 | 082 | 082 | 082 | 082 |
| 17 | WASHER | 4 | 908-0112 | 080 | 080 | 080 | 080 |
| 18 | BRACKET - 4" | 1 | 116-0244 | 010 | 208 | 010 | |
| | 5" | 1 | 116-0234 | 010 | 208 | 010 | 104 |
| | 6" | 1 | 116-0235 | 010 | 208 | 010 | 104 |
| | 7" | 1 | 116-0233 | 010 | 208 | 010 | 104 |
| | 9" | 1 | 116-0241 | 010 | 208 | N/A | |
| 19 | SLINGER 321, 323 | 1 | 764-1002 | 478 | 478 | 478 | 478 |
| THE FOLLOWING PARTS ARE USED FOR MODEL 324A PUMPS ONLY | | | | | | | |
| 20 | WASHER | 3 | 908-0114 | 360 | 360 | 360 | |
| 21 | SUPPORT | 1 | 820-0190 | 010 | 010 | 010 | |
| 22 | KEY | 1 | 472-0206 | 087 | 087 | 087 | |
| 23 | GREASE FITTING | 2 | 508-0005 | 651 | 651 | 651 | |
| 24 | CAPSCREW | 3 | 168-0488 | 082 | 082 | 082 | |
| 25 | OILER | 1 | 552-0029 | 652 | 652 | 652 | |
| 26 | PIPE PLUG | 2 | 600-0002 | 087 | 087 | 087 | |
| 27 | SLINGER | 1 | 764-1015 | 478 | 478 | 478 | |
| 28 | CAPSCREW | 4 | 168-0388 | 082 | 082 | 082 | |
| 29 | CAP | 1 | 164-0470 | 010 | 010 | 010 | |
| 30 | GASKET (OIL LUBE) | 1 | 364-0423 | 457 | 457 | 457 | |
| 31 | GREASE SEAL | 2 | 712-0231 | 653 | 653 | 653 | |
| | OIL SEAL | 2 | 712-0016 | 653 | 653 | 653 | |
| 32 | RETAINER RING | 1 | 676-0929 | 088 | 088 | 088 | |
| 33 | O.B. BEARING | | | | | | |
| | STANDARD OPEN SEALED PERM LUBE | 1 | 068-2206 | 647 | 647 | 647 | |
| 34 | I.B. BEARING | | | | | | |
| | STANDARD OPEN SEALED PERM LUBE | 1 | 068-1907 | 647 | 647 | 647 | |
| 35 | SHAFT | 1 | 728-0124 | 107 | 104 | 107 | |
| 36 | PLUG | 2 | 600-0002 | 087 | 087 | 087 | |
| 37 | FRAME OIL LUBE | 1 | 356-0231 | 010 | 010 | 010 | |
| | GREASE LUBE | 1 | 356-0201 | 010 | 010 | 010 | |

| PC. NO. | DESCRIPTION | QTY | PART NO. | MATERIAL | | | |
|---|-------------------|----------|----------|----------|------|------|------|
| | | | | B.F. | A.B. | A.I. | S.S. |
| 38 | PIPE PLUG | 1 | 600-0002 | 087 | 190 | 087 | |
| 39 | PIPE PLUG | 2 | 600-0001 | 087 | 190 | 078 | |
| 40 | SLINGER | 1 | 764-1002 | 478 | 478 | 478 | |
| 41 | BREATHER | 1 | 864-0051 | 656 | 656 | 656 | |
| 42 | NIPPLE | 1 | 600-1204 | 387 | 387 | 387 | |
| THE FOLLOWING PARTS ARE USED FOR MODEL 323 PUMPS ONLY | | | | | | | |
| 45 | BASE | | | | | | |
| | 1 x 1-1/4 x 4 | 1 | 816-0861 | 010 | | 010 | |
| | 1-1/2 x 2 x 4 | 1 | 816-0863 | 010 | | N/A | |
| | 2 x 2-1/2 x 4 | 1 | 816-0863 | 010 | | 010 | |
| | 1 x 1-1/4 x 5 | 1 | 816-0862 | 010 | | 010 | |
| | 1-1/4 x 1-1/2 x 5 | 1 | 816-0862 | 010 | | 010 | |
| | 2 x 2-1/2 x 5 | 1 | 816-0863 | 010 | | 010 | |
| | 3/4 x 1 x 6A | 1 | 816-0862 | 010 | | N/A | |
| | 1 x 1-1/4 x 6 | 1 | 816-0862 | 010 | | 010 | |
| | 2 x 2-1/2 x 6 | 1 | 816-0863 | 010 | | 010 | |
| | 3 x 3 x 6 | 1 | 816-0917 | 010 | | 010 | |
| | 3/4 x 1 x 7 | 1 | 816-0876 | 010 | | N/A | |
| | 1-1/4 x 1-1/2 x 7 | 1 | 816-0876 | 010 | | 010 | |
| | 1-1/2 x 2 x 7 | 1 | 816-0863 | 010 | | 010 | |
| | 2 x 2-1/2 x 7 | 1 | 816-0863 | 010 | | 010 | |
| 1-1/4 x 1-1/2 x 9 | 1 | 816-0876 | 010 | | N/A | | |
| 46 | CAPSCREW | 4 | 168-0382 | 082 | | 082 | |
| 47 | GASKET | | | | | | |
| | 3/4, 1, 1-1/4 | 1 | 364-1144 | 603 | | 603 | |
| | 1-1/2, 2, 2-1/2 | 1 | 364-1145 | 603 | | 603 | |
| 3 | 1 | 364-1149 | 603 | | 603 | | |
| 48 | FITTING | 1 | 868-3358 | 190 | | 087 | |
| 49 | TUBING | 1 | 872-0124 | 175 | | 087 | |
| 50 | FITTING | 1 | 868-3358 | 190 | | 087 | |
| 51 | COUPLING | 1 | 600-0720 | 387 | | 387 | |
| 52 | NIPPLE | 1 | 600-1156 | 387 | | 387 | |



NOTE:
Aurora Pump reserves the right to make revisions to its products and their specifications, and to this bulletin and related information without notice

Aurora Pumps
800 Airport Road
North Aurora, IL 60542
phone: 630-859-7000
fax: 630-859-7060